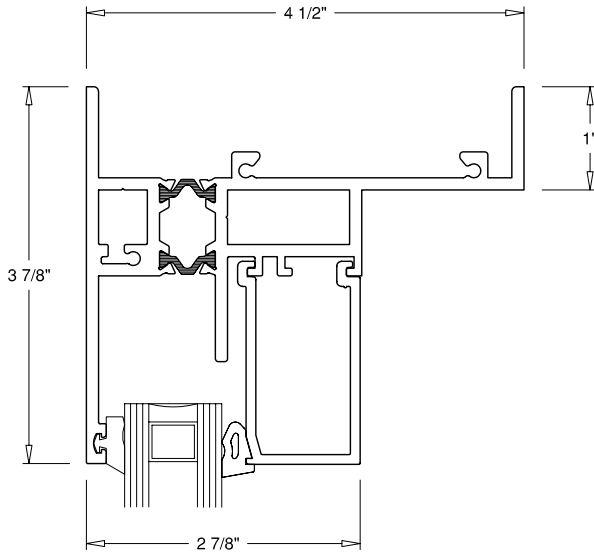
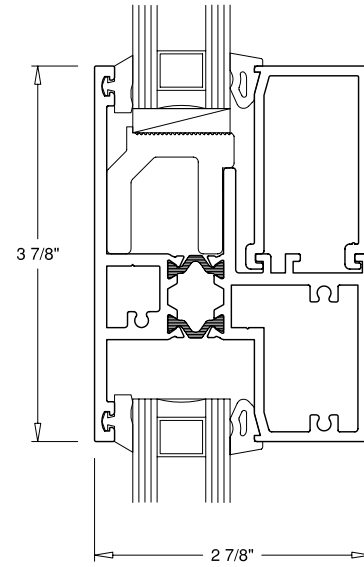


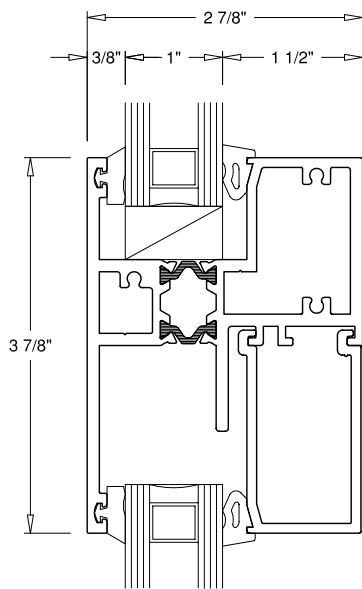
WINDOW WALL CONFIGURATION



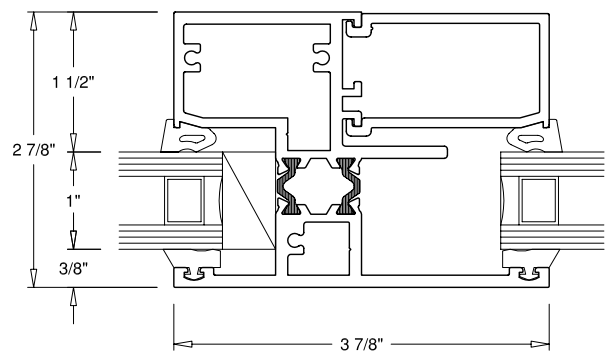
① **HEAD**
FIXED



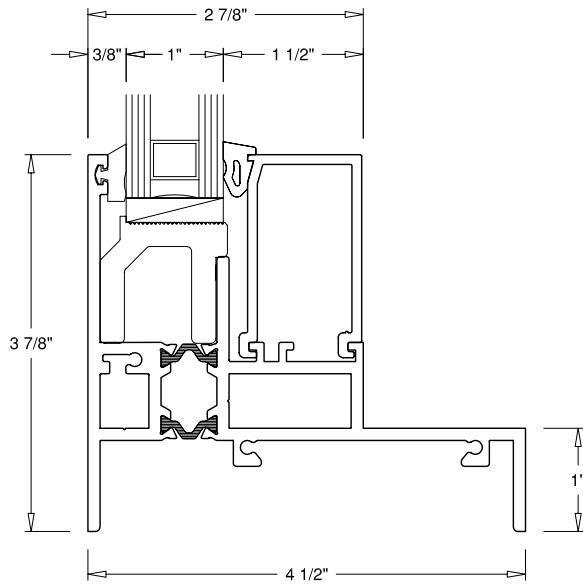
③ **INT. MULLION**
FIXED OVER FIXED



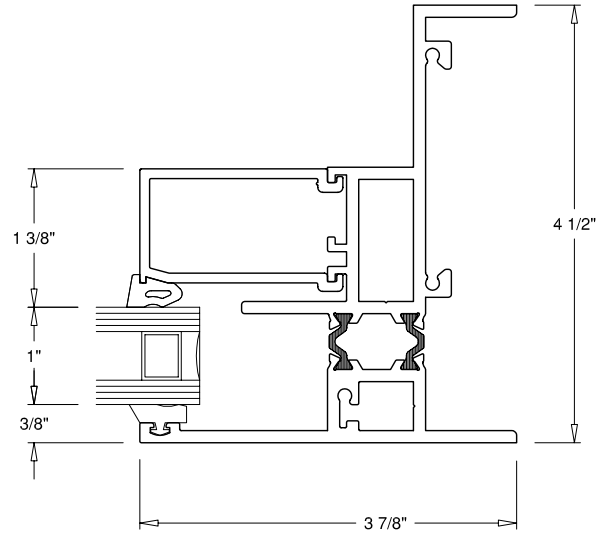
② **INT. MULLION**
FIXED OVER FIXED



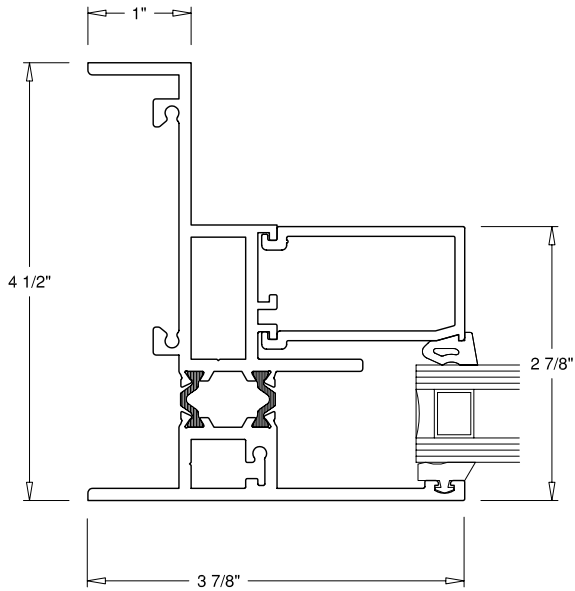
④ **MULLION**
FIXED TO FIXED



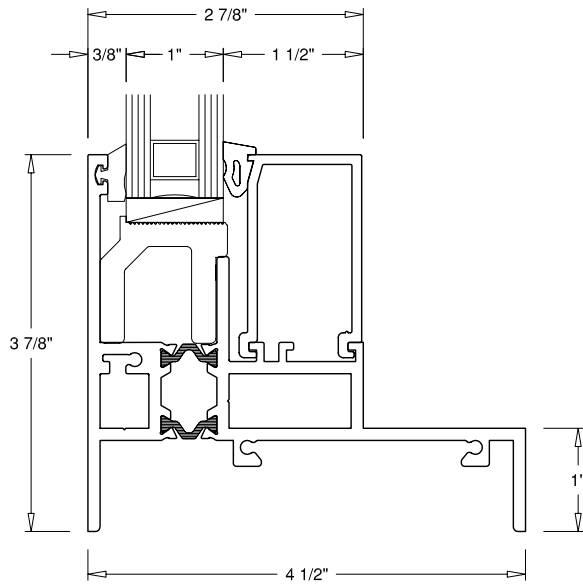
⑤ **SILL**
FIXED



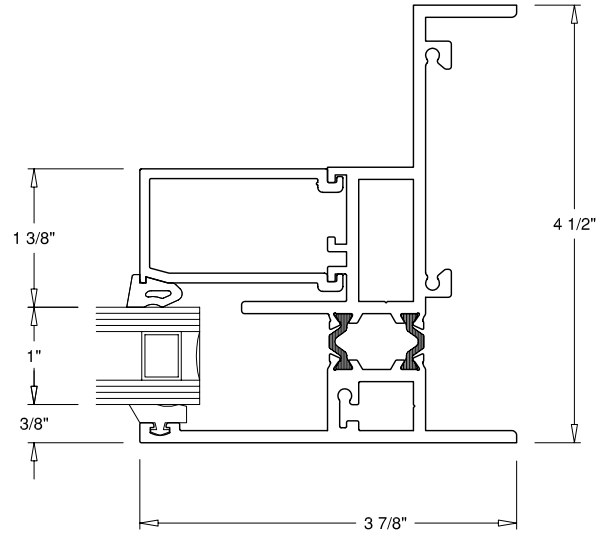
⑦ **JAMB**
FIXED



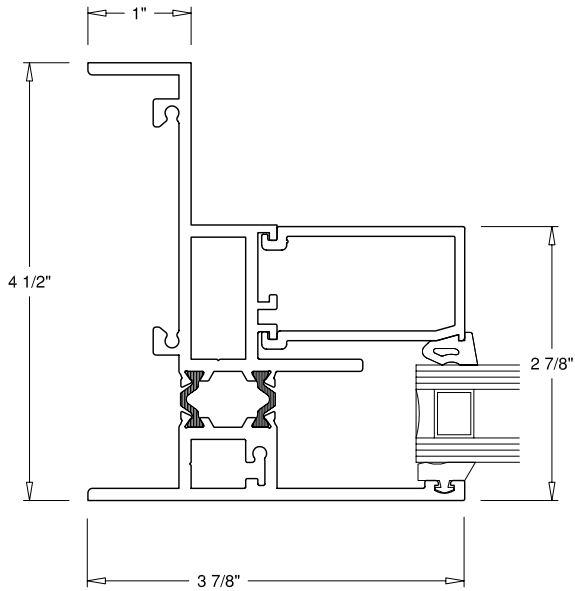
⑥ **JAMB**
FIXED



⑤ **SILL**
FIXED



⑦ **JAMB**
FIXED



⑥ **JAMB**
FIXED